

oricom®



Operating Instructions

JSP1200 Waterproof Jump Starter

Keep this user guide for future reference.
Always retain your proof of purchase in case of
warranty service.
www.oricom.com.au

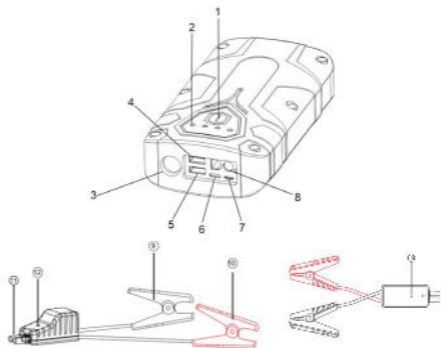
Table of Contents

Product Overview	3
Package Contents	5
Getting Started	5
Specifications	8
FAQ	10
Care and Maintenance	11
Express Warranty (Australia)	12

Cautions

- **DO NOT use this unit if any cable, clamp, or cord is damaged.**
- **DO NOT connect the two clamps together when the jump starter is turned on.**
DO NOT connect both cable clamps to the same metallic/ conductive surface. Otherwise, the jump starter will be damaged.
- **If the Force Start feature is used, the inbuilt short circuit protection will not be active. Take extra care of the connections when this feature is used.**
- **This equipment contains a Lithium-ion Battery pack. Do not short circuit the Battery pack. Lithium-ion Batteries must be disposed of properly. The Lithium-ion Battery pack contained in this equipment may explode if disposed of in a fire. Lithium-ion Batteries should not be exposed to high temperature environments as they may not operate correctly in these conditions. Always keep out of direct sunlight in confined environments.**

Product Overview



NO.	Function	Operation
1	ON/OFF Button (Multifunctional)	Connect devices to be charged. LED's light up indicating battery capacity. If no devices are connected press the button to show the battery capacity. Press and hold the button to turn the torch on/off.
2	Charging Indicator Lights	Shows the charging status: 25%, 50%, 75% and 100%.
3	LED Flashlight	Flashlight modes: Solid, SOS, Flash, and Off

Product Overview

4	USB-A Output Port 1 (QC 3.0)	Use to charge your devices (QC 3.0 compatible) faster, with 75% increase in speed.
5	USB-A Output Port 2 (QC 3.0)	Use to charge your devices (QC 3.0 compatible) faster, with 75% increase in speed.
6	USB-C Input & Output (PD30W)	Charge the jump starter via USB-A to USB-C cable. Charge your devices (PD30W) faster, with 75% increase in speed via USB-C to USB-C cable.
7	Micro USB Input Port	Charge the jump starter via the Micro USB cable.
8	Jump Starting Port	Connect the jump starter leads into port.
9	Black Clamp	Connect the black clamp to the negative terminal of the car battery.
10	Red Clamp	Connect the red clamp to the positive terminal of the car battery.
11	Plug	Connect to the jump starting port.
12	Battery Clamp Indicator Light	Shows the status of the smart battery clamp.
13	Force Start Button	Press this button if the car battery voltage is too low.

Package Contents

1 x JSP1200 Jump Starter	1 x 12V Car charger
1 x Smart Battery Clamp	1 x AC Charger
1 x USB-C to USB A Cable	1 x User Manual
1 x USB-C to USB C Cable	1 x Carry Pouch

Getting Started

Charging the Jump Starter

1. Connect the jump starter to the power source via the supplied USB-C cable, Type-A Micro USB cable or AC Charger. Once it is fully charged, all 4 battery level indicator lights will be on.
2. Unplug the cable when charging is complete.

NOTE:

When using the product for the first time, please make sure that the jump starter is fully charged.

Charging Your Devices

1. Connect your devices, including; smartphone, tablet or other electronic devices via USB cable.
2. Disconnect the USB cable when charging is complete.

LED Torch

Press and hold the ON/OFF button for 3 seconds to turn on the torch. Press the ON/OFF button briefly to switch the modes between Solid, SOS, and Flash. Press and hold the ON/OFF button for 3 seconds to turn off the LED light.

Jump Start Your Car

NOTE:

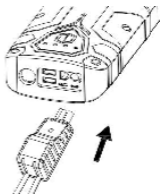
This jump starter is designed for a 12V car system (all petrol engines up to 8.0L and diesel engines up to 6.0L only).

Check to make sure that 3 to 4 indicator lights are illuminated (battery level is above 50%) before you jump start your car.

Step 1: Insert the plug of the smart battery clamp completely into the jump starter. The green and red light indicators on the battery clamp must be flashing alternately before moving onto step 2.

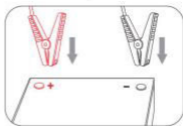
Step 2: Connect the red clamp to the positive terminal (+) and the black clamp to the negative terminal (-) of the car battery.

The green and red light indicators on the battery clamp must be flashing alternately before moving onto step 3.



If the red indicator light is on:

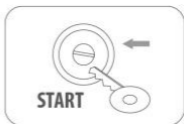
1. The battery clamp may be connected in reverse. Disconnect the battery clamp from the vehicle and the jump starter and reconnect correctly as per steps 1 and 2.



2. Readjust the battery clamps for maximum contact with battery terminals.

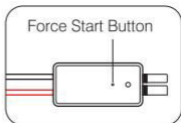
Step 3 (a): Start your car.

If your car fails to start, disconnect the battery clamp from the vehicle and the jump starter. Wait for at least 30 seconds, then try again.

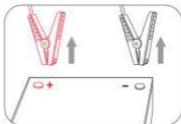


If your car fails to start, you can use the **force start function**. See **Step 3 (b)**.

Step 3 (b) (optional): Force start function. Before you begin, make sure that the battery clamps are connected to the correct polarity battery terminal. Hold the force start button for 3 seconds to start your car. When the indicator light of the smart clamp is solid green, you must attempt to start the vehicle within 30 seconds.



Step 4: Once your car has started, remove the battery clamps from the car battery within 30 seconds.



Specifications

If any of the following are indicated, the smart clamp turns protection on.

LED Indicator	Situations
The red light is always on	<ol style="list-style-type: none">1. Battery clamp is reverse connected. -Check if the battery clamps are reverse connected.2. The clamp has short-circuited. -Check whether the two clamps are connected together or both clamps are connected to the same metallic/ conductive surface.3. The temperature of the clamp exceeds 65(+/-5) degrees. -Remove the clamp until the red/green light flash
The green light flashes slowly	The voltage of the jump starter is too low. Charge the jump starter before attempting to re-use.

Specifications

Model	JSP1200
Capacity	59.2Wh
Ingress Protection	IP66
Micro USB input	5V/2.1A
Torch	1W LED, 100 lumens
Type-C input & output	(PD30W) 5V/3A,9V/3A,12V/2.5A, 20V/1.5A, (QC18W) 5V/3A, 9V/2A, 12V/1.5A

Type-A USB output 1	5V/3A, 9V/2A, 12V/1.5A
Type-A USB output 2	5V/3A, 9V/2A, 12V/1.5A
Start current	600A (lasts for 1.5S) Start current 350A (lasts for 3S)
Peak current	1200A (lasts for 0.1S)
Short circuit protection	Effective
Over-discharge protection	$\leq 13V \pm 0.3V$
Over-temperature protection	$> 65^{\circ}C \pm 5^{\circ}C$
Reverse polarity protection	Effective
Reverse charging protection	$\geq (12.6V \pm 0.3V)$
Dimensions (L*W*H)	185*100*45mm
Waterproof rating IP66	Protection against powerful jets of water at 100kPa at 3m for 15 mins. Charge port cover must be in place.

FAQ

Q: How to turn off the jump starter?

A: The jump starter will power off automatically when no load is detected or when charging is complete.

Q: How long does it take to fully charge the jump starter?

A: About 9 hours through the Micro USB input port or 3 hours through the USB C input port.

Q: How many times can the jump starter start a vehicle with full charge capacity?

A: Approximately 20 times.

Q: How many times can the jump starter fully charge my cell phone?

A: It depends on the battery capacity of your cell phone. For example, iPhone 12 can be fully charged 4~5 times.

Q: What are the safety protections of the smart battery clamp?

A: Short-circuit protection, over-temperature protection, over-voltage protection, over-charge protection, over-discharge protection, over-current protection and reverse polarity protection.

Care and Maintenance

- DO NOT use the jump starter to start a bulging car battery.
- Store the jump starter in a shaded, well-ventilated area.
- Please handle the jump starter with care and do not abuse it. Avoid dropping or striking the jump starter heavily and repeatedly.
- DO NOT disassemble or modify the jump starter.
- DO NOT use detergents to clean the jump starter.
- DO NOT place the jump starter in a high-temperature environment. The operating temperature of this jump starter is -20 to +60°C. The storage temperature of the jump starter should not exceed 50°C.
- **Ensure the jump starter is fully charged prior to use and charge every three months when not in use.**
- Keep the jump starter away from children and pets.

Need Help?

If you need assistance setting up or using your Oricom product now or in the future, call Oricom Support.

Australia (02) 4574 8888
www.oricom.com.au
Mon-Fri 8am – 6pm AEST

New Zealand 0800 674 266
www.oricom.co.nz
Mon-Fri 10am – 8pm NZST

Express Warranty (Australia)

This Express Warranty is provided by Oricom International Pty Ltd ABN 46 086 116 369, Unit 1, 4 Sovereign Place, South Windsor NSW 2756, herein after referred to as “Oricom”.

Oricom warrants that the product is free from defects in materials or workmanship during the Express Warranty Period. This Express Warranty does not extend to any product from which the serial number has been removed or was purchased outside of Australia.

The benefits of this Express Warranty are in addition to other rights and remedies you may have under the Australian Consumer Law. Our goods come with guarantees that cannot be excluded under the Australian Consumer Law. You are entitled to a replacement or refund for a major failure and compensation for any other reasonably foreseeable loss or damage. You are also entitled to have the goods repaired or replaced if the goods fail to be of acceptable quality and the failure does not amount to a major failure. In the event of a minor failure, Oricom reserves the right to choose to repair or replace the product.

The Express Warranty Period will be a period of 12 months beginning on the date of purchase of the product evidenced by your dated sales receipt. You are required to provide proof of purchase as a condition of receiving Express Warranty services.

You are entitled to a replacement product or repair of the product at our discretion according to the terms and conditions of this document if your product is found to be faulty within the Express Warranty Period. This Express Warranty extends to the original purchaser only and is not transferable.

Products distributed by Oricom are manufactured using new materials or new and used materials equivalent to new in performance and reliability. Spare parts may be new or equivalent to new. Spare parts are warranted to be free from defects in material or workmanship for thirty (30) days or for the remainder of the Express Warranty Period of the Oricom branded product in which they are installed, whichever is longer. During the Express Warranty Period, Oricom will where possible repair and if not replace the faulty product or part thereof. All component parts removed under this Express Warranty become the property of Oricom. In the unlikely event that your Oricom product has a recurring failure, Oricom may always, subject to the Competition and Consumer Act 2010, at its discretion, elect to provide you with a replacement product of its choosing that is at least equivalent to your product in performance.

No change to the conditions of this Express Warranty is valid unless it is made in writing and signed by an authorised representative of Oricom.

Oricom will not be liable under this Express Warranty, and to the extent permitted by law will not be liable for any defect, loss, damage or injury arising out of or in connection with a:

1. Failure by you to adhere to the warnings and follow the instructions set out in this user guide for the proper installation and use of the product;
2. Willful misconduct or deliberate misuse by you of the product;
3. Any external cause beyond our control, including but not limited to power failure, lightning or over voltage; or
4. Modification to the product or services carried out on the product by anyone other than Oricom or Oricom's authorised service provider.

How to make a claim under your Express Warranty in Australia

Oricom has a simple warranty process for you to follow:

- Please call or email our Customer Support Team, 02 4574 8888 or support@oricom.com.au.
- A Customer Support Team member will verify after troubleshooting with you if your product qualifies under warranty. If so, they will give you a Product Return Authorisation number.
- We will then email a Return Authorisation form and a Repair Notice (if necessary), together with instructions on how to return the product for warranty service.

Please note that if a Customer Support Team member advises that your product does not qualify for return, this warranty does not apply to your product. Products that are authorised to be returned to Oricom in Australia must include all of the following:

- A completed Return Authorisation form
- A copy of your Proof of Purchase (please keep your original copy)
- The faulty product, including all accessories.

Send the approved returns to:

Oricom International Pty Ltd
Locked Bag 658
South Windsor NSW 2756 Australia

Please note that this Express Warranty excludes expenses incurred by you in returning any faulty product to us. You must arrange and pay any expenses incurred (including postage,

delivery, freight, transportation or insurance of the product) to return the faulty product to us, however, we will arrange delivery of the repaired or replaced faulty product to you.

Important Information - Repair Notice

Please be aware that the repair of your products may result in the loss of any user-generated data (such as stored telephone numbers, text messages and contact information). Please ensure that you have made a copy of any data saved on your product before sending for repair. Please also be aware that products presented for repair may be replaced by refurbished products or parts of the same type rather than being repaired.

ORICOM CUSTOMER SUPPORT

Oricom have a trained and dedicated team of Customer Support Representatives, each with the knowledge and resources to assist in answering your questions quickly and efficiently.

Oricom Support - Australia

For all product enquiries, troubleshooting or to discuss the range of Oricom products, feel free to contact Oricom or visit our website for answers to frequently asked questions.

(02) 4574 8888

Monday - Friday 8am - 6pm AEST

Email: support@oricom.com.au

www.oricom.com.au

Oricom Support - New Zealand

0800 674 266

Monday - Friday 10am - 8pm NZST

Email: support@oricom.co.nz

oricom[®]

Ref:20032023